

1

2

3

4

5

6

7

REV	DATE	MODIFICATION	DRAWN
-----	------	--------------	-------

A

A

B

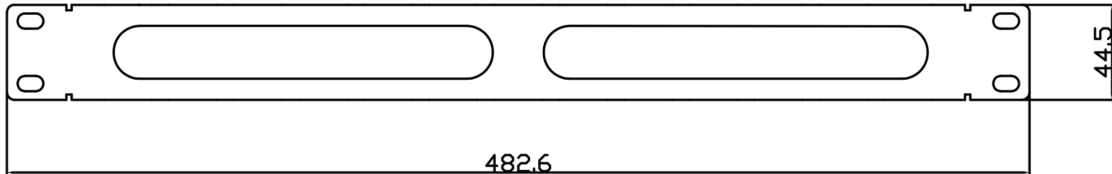
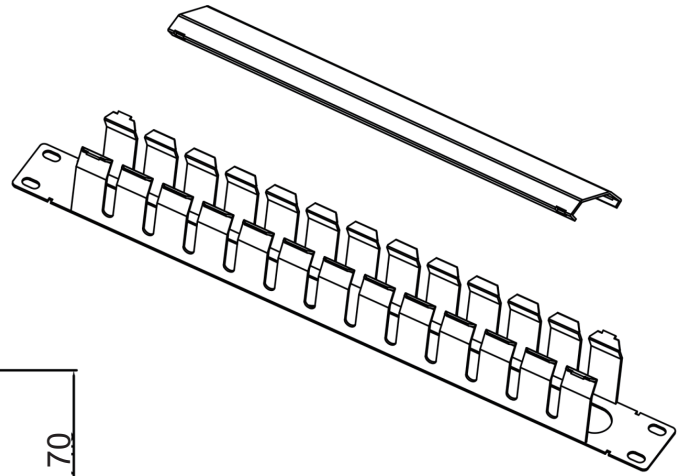
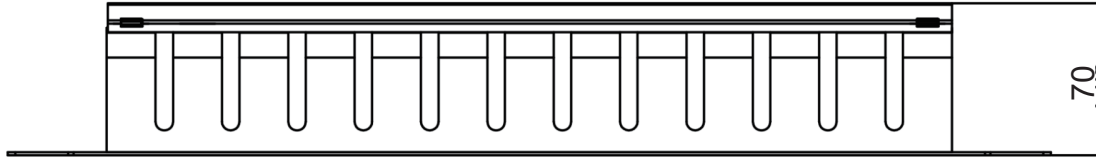
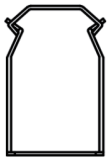
B

C

C

D

D



DIMENSION IN mm (Inch) TOLERANCE UNLESS OTHERWISE SPECIFIED		MATERIAL	DWG NO.	
.X±0.10	.X°±5°	TITLE		
.XX±0.05	.XX°±2°			
APPROVAL	CHECKED	DRAWN	SCALE 1/1	SHEET 1/
			PPDJ	

1

2

3

4

5

6

7